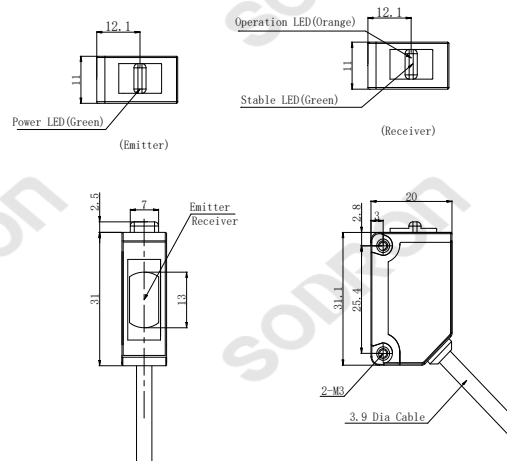




Dimensions



Model

PF31-T10BNO(E)
PF31-T10BNC(E)
PF31-T10BPO(E)
PF31-T10BPC(E)

Technical parameters

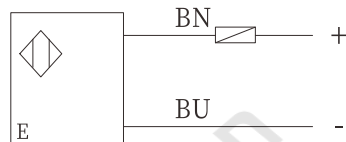
Detection method	Through beam		
Model	NPN	PF31-T10BNO(E)	PF31-T10BNC(E)
	PNP	PF31-T10BPO(E)	PF31-T10BPC(E)
Sensing distance	10m		
Standard target	> Φ 15mm (Opaque object)		
Output mode	Dark ON	Light ON	
Light source	850nm infrared light		
Supply power	DC 12 ~ 24V \pm 10% , impulse (P-P) < 10%		
Directivity angle	3~15°		
Residual voltage	< 2V (Load Current: \leq 100mA)		
Current consumption	< 15mA		
Load current	\leq 100mA		
Circuit protection	Power reverse indirection connection protection, short-circuit protection		
Response time	< 0.5ms		
Indicator light	Output LED: Orange LED、Power/stable: Green LED		
Connection	Cable 2m		
Ambient temperature	Work: -25 ~ +55°C; Store: -30 ~ +70°C (No dew condensation or icing allowed)		
Ambient humidity	Work: 35 ~ 85%RH, Store: 35 ~ 95%RH, (No dew condensation)		
Ambient illumination	Sunlight :10,000Lx, lamplight:3,000Lx		
Withstand voltage	1000 VAC, 50/60 Hz, 1 min.		
Insulation resistance	> 20M Ω (DC500V megger) between current-carrying parts and case		
Anti-vibration	10~55Hz double-amplitude 1.5mmX,Y,Z 2h		
Impact resistance	500m/s ² X,Y,Z , directions for 3 times		
Protection degree	IEC IP67		
Material	Housing	PBT	
	Lens	PMMA	

Product features

- Through beam, 850nm infrared light
- ASIC, Fast response, High frequency
- IEC IP67

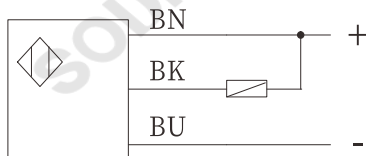
Connection

Transmitter



Receiver

NPN



PNP

